



Quick installation guide

How to start FLEXi SP3 with Protegus 2 app for programming

SMART SECURITY PANEL

FLEXi SP3



Full installation instructions are available at: www.trikdis.com

Safety precautions

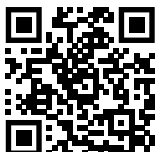
Power supply must be unplugged during installation!

The panel is not resistant to vibrations, other mechanical effects, humidity and aggressive chemical environments. The control panel complies with the demands applicable to Class II environmental specification of the EN 50131 standard.



The casings, transformers, batteries and programming equipment used must meet the safety requirements of the EN 60950 standard. The device is powered from a 110-230 V voltage 50-60 Hz frequency power grid through a Class II step-down 40VA transformer that reduces the voltage to 16 - 18 V or from a 16 - 24 V DC power supply unit. A 12 V battery with at least 7 Ah capacity is used as a backup power supply. The current consumption depends on the power of the connected external devices.

Technical Support and help



trikdis.com/help/

1

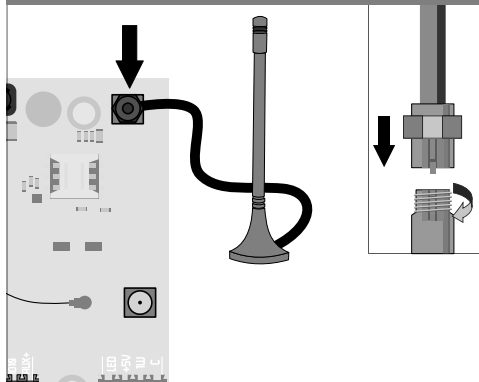
Insert SIM

- No PIN
- Mobile Data activated

Nano SIM

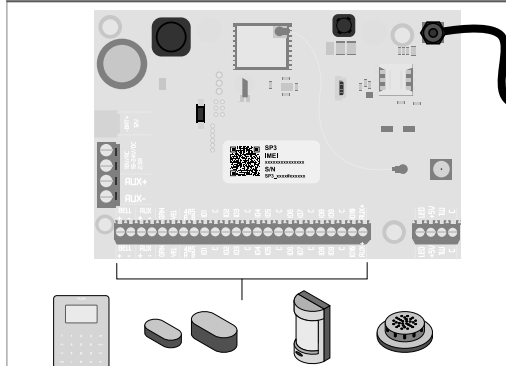
2

Connect antenna



3

Connect sensors



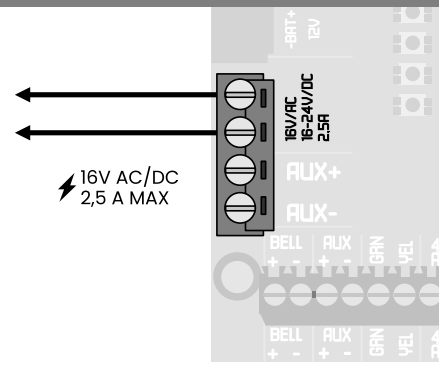
See how to connect a system with default settings on the other side. (No programming required.)



Power supply must be unplugged during installation!

4

Connect power supply



5

Wait 1 min for LED indication

GREEN SOLID AND BLINKING YELLOW	NET	
OFF	DAT	
OFF	ETH	
BLINKING GREEN	PWR	

6

Download and install app

Download



Protegus 2



For programming:

- Create user
- Press Add System, and follow further instructions.

For FLEXi SP3 programming go to:

☰ ▶ Settings ▶ Advanced settings



Troubleshoot

OFF	NET	
SOLID YELLOW	DAT	
OFF	ETH	
BLINKING GREEN	PWR	

- Make sure the SIM card is inserted correctly
- Make sure the SIM card mobile data is activated
- SIM card is locked. Unlock the SIM card and disable PIN code with your mobile device.

GREEN SOLID AND YELLOW BLINKING	NET	
SOLID GREEN	DAT	
OFF	ETH	
BLINKING GREEN	PWR	

Make sure your APN settings are correct. To change APN, send the SMS:

connect 123456 apn=apnname

e.g. connect 123456 apn=internet

Other information

LED indication

LED indicator	Light status	Description
NET	Green blinking	SIM card is registering on mobile network.
	Green solid	SIM card registered on mobile network.
	Yellow blinking	Indicates mobile signal strength from 0 to 5. 3 is sufficient.
DAT	Off	No unsent event messages.
	Green solid	Message is being sent.
	Yellow solid	There are unsent event messages in buffer memory.
MOD	Green blinking	Connecting to WiFi network
	Green solid	Connected to WiFi network.
PWR	Green blinking	No operational problems.
	1 red flash	No SIM card detected
	2 red flashes	The PIN card of the SIM card is incorrect
	3 red flashes	Unable to connect to mobile network
	4 red flashes	Unable to connect to CMS receiver using channel 1
	5 red flashes	Unable to connect to CMS receiver using channel 2
	6 red flashes	Internal clock not set
	7 red flashes	Insufficient backup power supply voltage
	8 red flashes	No AC power
9 red flashes	Unable to connect to WiFi network	

You can also configure with TrikdisConfig software:

- with USB cable
- remotely*

* (FLEXi SP3 must be connected to the Protegus cloud service)



Quick installation guide

Wiring instructions for SP3 with default settings

SMART SECURITY PANEL

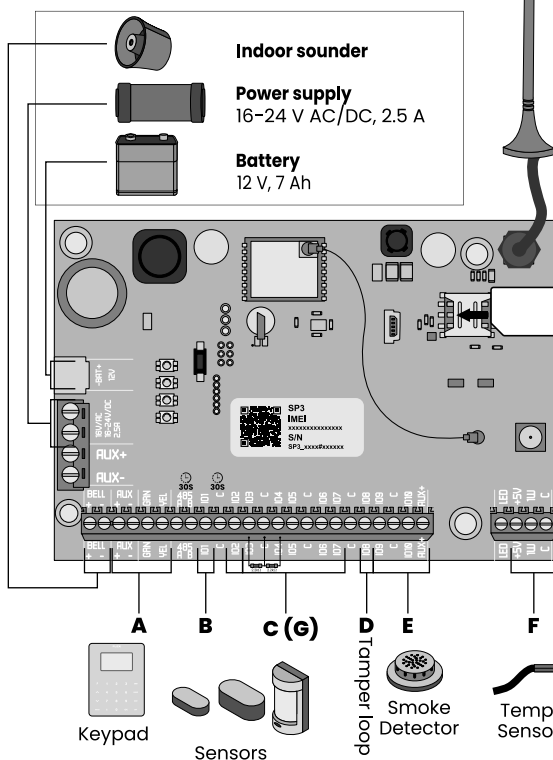
FLEXi SP3

Default settings

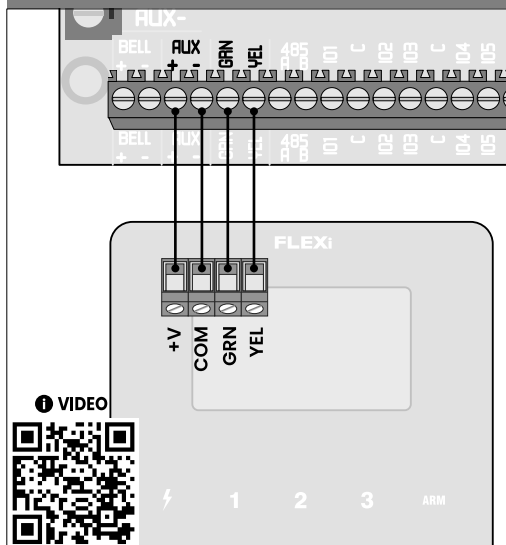
Area	1
Wireless sensor connectivity	Disabled
Entry/Exit delay	30s
STAY arming	Disabled
User arming code	1234
Administrator code	123456
WiFi/Ethernet connectivity	Disabled
APN	Internet
SMS reporting	Disabled
Cloud service (Protegrus 2)	Enabled

Terminal no.	Zone no.	Name	Definition	Type
IO1	1	Entrance door sensor	Delay (30s)	EOL
IO2	2	Entrance door Motion sensor (PIR)	Interior (delay 30s)	EOL
IO3	3	Sensor	Instant	EOL
IO4	4	Sensor	Instant	EOL
IO5	5	Sensor	Instant	EOL
IO6	6	Sensor	Instant	EOL
IO7	7	Sensor	Instant	EOL
IO8	8	Tamper	24 hours	EOL
IO9	9	Fire sensor	Fire	EOL
IO10		Fire sensor	Reset	OUT
BELL		Siren	120s	OUT

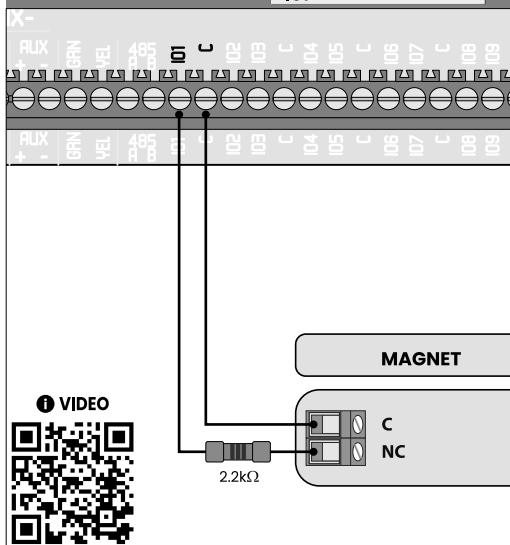
i With default settings, you can connect all the sensors without FLEXi SP3 programming



A Keypad



B Mag. sensors

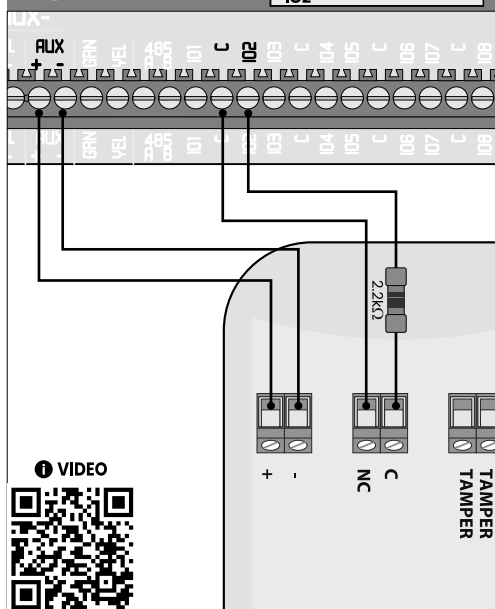


⚡ Power supply must be unplugged during installation!

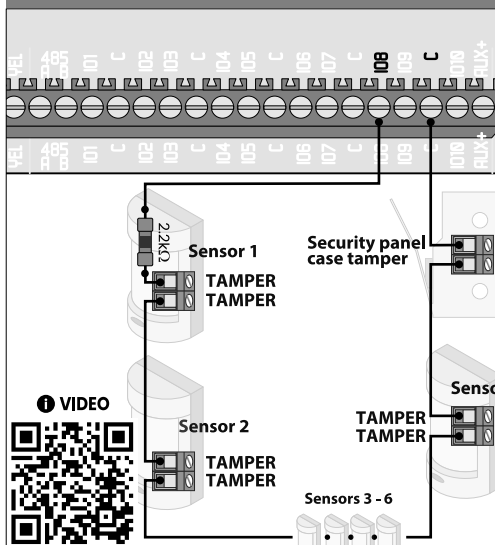
⚠ The FLEXi SP3 must be installed and serviced only by qualified personnel.

Full installation instructions are available at: www.trikdis.com

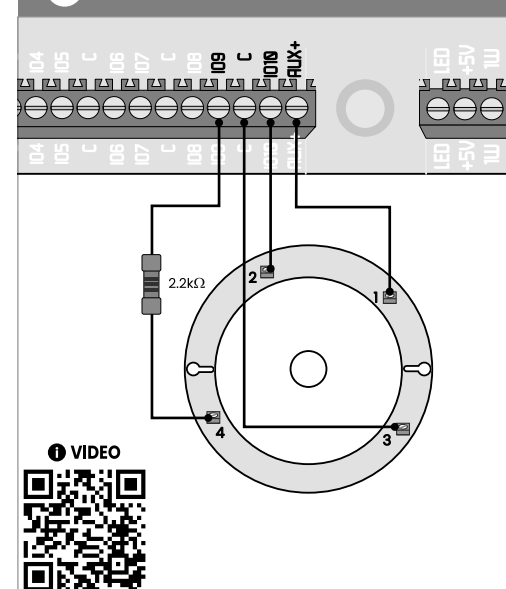
C PIR sensors



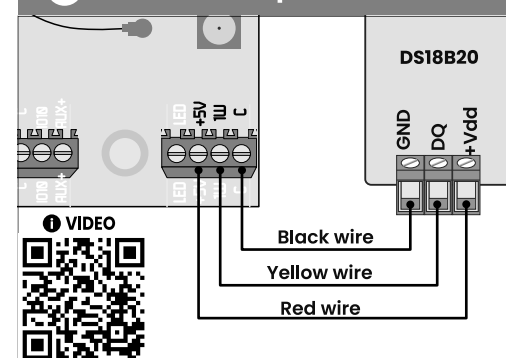
D Tamper loop



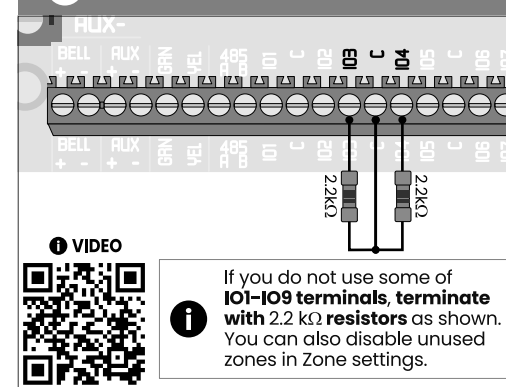
E Smoke detector



F Temperature sensor



G Unused terminals



i If you do not use some of IO1-IO9 terminals, terminate with 2.2 kΩ resistors as shown. You can also disable unused zones in Zone settings.